

Visit our web site at www.tkaccess.com for more information including complete 3-part specifications, CAD details, and typical drawings. Specifications and/or colors subject to change without notice.

COMMERCIAL VERTICAL PLATFORM LIFTS

by ThyssenKrupp Access

Porch-Lift Specifications/Options	Model				
	S	TG	ENC 2.0	EZE	P
Rated load:	750 lbs.				
Speed with rated load: ballscrew drive optional hydraulic drive	9-12 fpm 18-21 fpm				9-12 fpm
Power supply:	115 VAC, 60 Hz, 20 amp				
Motor:	A/C ballscrew: 1/2 hp, 120 VAC, 60 Hz reversible D/C ballscrew: 1/2 hp, 24 VDC, reversible D/C hydraulic: 3/4 hp motor, 24 VDC				A/C ballscrew: 1/2 hp, 120 VAC, 60 Hz
Drive system: A/C powered ballscrew Battery powered ballscrew Battery powered hydraulic	Standard Optional Optional	Standard Optional Optional	Standard Optional Optional	Standard Optional Optional	Standard n/a n/a
Platform sizes:	36"x48" Std, 36"x56" Opt, 36"x60" Opt, 42"x60" Opt (90° only)	36"x60" Std, 36"x48" Opt	36"x60" Std	36"x60" Std	36"x48" Std
Platform configurations: Straight-thru 90° side exit Enter/exit same side	Standard Optional Optional	Standard Optional n/a	Standard Optional Optional	Standard Optional Optional	Standard n/a n/a
Platform controls:	Constant pressure paddle with key lock and emergency stop and alarm				
Maximum lifting height:	14'-3"	4'-4"	14'-3"	14'-2"	6'-3"
Maximum stops:	3	2	3	3	2
Remote controls with key lock:	Optional	Standard	Optional	Standard	Standard
Ivory powder coat finish:	Standard	Standard	Standard	Standard	Standard
42" high guard panels:	Standard	Standard	Standard	Standard	Standard
Grab rail:	Standard	Standard	Standard	Standard	Optional
Select from gates or standard-sized doors, including fire-rated doors and extra wide gates:	Optional	Optional	Optional	Optional	n/a
Fixed access ramp, or optional automatic folding ramp for applications where there is no pit:	Standard	Standard	Standard	Standard	Powered auto
Over 180 custom colors:	Optional	Optional	Optional	Optional	Optional
Acrylic guard panel inserts:	Optional	Optional	Optional	Optional	n/a
Auto-Opener™ for doors and gates:	Optional	Optional	Optional	Optional	n/a
Attendant operated package:	Optional	n/a	n/a	n/a	n/a
Telephone jack on platform:	Optional	Optional	Optional	Optional	n/a
Warranty: 2 years drive train, 1 year parts	Standard	Standard	Standard	Standard	Standard
UL/ETL listed up to 168" lifting height:	Standard	Standard	Standard	Standard	n/a
ASME A-18.1 code compliant:	Standard	Standard	Standard	Standard	n/a



CONTINUING EDUCATION
ThyssenKrupp Access has partnerships with certified Continuing Education System (CES) providers.

Your designers will learn ADA standards for Wheelchair Lifts and Limited Use/Limited Application (LU/LA) Elevators. Course credits are automatically reported and a course report and certificate of completion are automatically provided. For more information, go to www.tkaccess.com/ces.

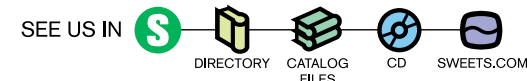
ThyssenKrupp Access carries a full-line of accessibility products including stair lifts, wheelchair lifts, dumbwaiters and residential elevators.

ThyssenKrupp Access Manufacturing, LLC

4001 East 138th Street
Grandview, MO 64030
Phone: 800.829.9760
Email: sales@tkaccess.com
www.tkaccess.com

©2010 ThyssenKrupp Access Manufacturing, LLC

5M0610-BR-047



ThyssenKrupp Access Manufacturing, LLC



ThyssenKrupp

BECOME ONE STATEMENT FOR YOUR BUILDING

TABLE OF CONTENTS

Why Choose Vertical Platform Lift.....2

Why Choose ThyssenKrupp Access.....2

Porch-Lift Standard.....3

Model BC & HBC.....4

Porch-Lift Toe Guard.....5

Model CDE & HCDE.....6

Porch-Lift Enclosure.....7

Model PCDE & HPCDE.....8

Porch-Lift Enclosure EZE.....9

Porch-Lift Portable.....10

Model BC Portable.....10

WOV 355.....11

Product Specifications.....12

Product Specifications.....13

Verical Platform Lift Guide Specifications.....14

WOV 355 Guide Specifications.....15

WHY A VERTICAL PLATFORM LIFT?

Vertical Platform Lifts (VPL) are the most popular alternative to unsightly ramps and, in some cases, to low rise elevators. These lifts overcome architectural barriers with cost and space efficiency as they lift a person just a few inches to heights of up to 14 feet.

Our VPLs are proven performers, providing access without the headaches and costs of constant repairs.

WHY CHOOSE THYSSENKRUPP ACCESS?

Expertise

We have assembled the largest engineering, research, and design staff in the industry dedicated to bringing you products that meet your growing accessibility needs. We are ready to work with you to assist with product customization to meet the most demanding design and application needs. If you have an accessibility problem, there is no other group of people more capable and committed to helping you.

Convenience

It's easy to include a VPL in your project. Call for a free CD-ROM or go online for complete CSI specifications, insertable CAD details, comparison charts and more.

Compliance

Our lifts conform to specifications established by the ASME A18.1 (formerly A17.1, Parts XX & XXI). The lifts carry the prestigious Underwriters Laboratories label when appropriately equipped.

While our lifts meet national standards, consult local authorities to establish local code requirements before ordering or specifying a lift. Our nationwide dealer network is well versed in ADAAG and ASME/ANSI requirements and can help ensure compliance with state and local codes.

PART 1 - GENERAL

1.01 SECTION INCLUDES

A vertical platform lift with 1:2 roped hydraulic lift system, full height platform walls, and constant pressure operation.

1.02 WORK INCLUDED

Furnish all labor and materials, equipment and incidentals necessary to assemble and erect the lift, complete with a remote power unit and all hoses, rails, brackets, connections and controls essential for proper operation.

1.03 WORK BY OTHERS

Construct a runway of the size required by the manufacturer, complete with all demolition, additional framing, headers, and framing components necessary to prepare the existing building to receive the lift.

1. Runway size: 53"W x 61 1/2"D (dependent upon platform size).
2. The runway shall be vertical to within 1/8" throughout the entire height.
3. Runway shall have a smooth surface throughout region traversed by the lift.
4. Provide structural members, installed, full length vertically of runway between floor plates per manufacturer's recommendation.
5. Pit requirements: Provide 8" deep pit (minimum 6" deep). Install reinforcement and concrete as necessary. Floor must sustain load specified in job drawings.

Construct a machine room:

1. Provide lift electrical circuit appropriate for particular motor, such as: 208/230 volt AC/1 phase/60hz (30 amp).
 2. Provide lift lighting electrical circuit: 115 volt (15amp).
- Provide system to maintain runway and machine room within 50-90 degrees F.

1.04 REFERENCES

American Society of Mechanical Engineers/American National Standards Institute (ASME/ANSI) publications. ASME/ANSI A18.1, ICC/ANSI A117.1
 Canada Standards Association (CSA) B355.
 National Fire Protection (NFPA) publications: NFPA 70 National Electrical Code.

1.05 SYSTEM DESCRIPTION

1. Travel: 30' max for CSA B355; 14' max for ASME/ANSI A18.1.
2. Stops: Up to 4.
3. Load Capacity: 750 lb.
4. Speed: 30 fpm.

1.06 SUBMITTALS

Submittals shall be in accordance with Section 01300, SUBMITTALS.
 Product Data: Submit product data, including manufacturer's specifications.

1.07 QUALITY ASSURANCE

Qualifications:

1. Installer Qualifications: A company experienced in the assembly and erection of lifts of the type specified; trained and certified by the manufacturer.
2. Manufacturer Qualifications: A company specializing in the manufacture of lifts for the disabled.

1.08 WARRANTY

The unit shall have a three (3) year limited parts warranty.

1.09 MAINTENANCE

Maintenance of the platform lift unit shall consist of regular cleaning and inspection at intervals not longer than every 6 months.
 Inspection: ASME A18.1 requires all platform lifts be inspected every 6 months.

PART 2 - PRODUCTS

2.01 MANUFACTURERS

Manufacturer: WOV 355 model by ThyssenKrupp Access Manufacturing, LLC.

2.02 COMPONENTS

Platform:

1. Size: 36"W x 60" D Clear (others available).
2. Enclosure: Securely fastened to the platform frame and floorboard. The platform shall be constructed of steel walls or minimum 3/4" thick wood walls. Floorboard shall be constructed of 1" AC plywood with no slip, sheet rubber flooring.
3. Handrail: One located on the platform wall and mounted in accordance with ICC/ANSI A117.1 requirements.
4. Control panel: Provide one constant pressure illuminated button for each landing, emergency stop and alarm button, and a digital position indicator; all mounted in a control panel having a removable stainless steel cover.
5. Interior lighting: Overhead light that automatically turns on when the platform is in operation and turns off by a timer circuit.

Runway door:

1. Size: 3'0"W x 6'8"H swing type.
2. The general contractor or owner is to furnish (lift contractor may opt to furnish)

and install runway doors, frames, hinges and passage sets at each landing. The type and installation of the doors and frames must comply with ASME A18.1, all local codes and as per manufacturer's layout drawings.

3. Locking Device: Door shall have a locking device, interlocked with the lift operation.

Hydraulic power unit:

1. The pump, submerged motor and valve shall be pre-wired, ready for connection to the controller in the field.
2. Up direction acceleration adjustment.
3. Two speed operation.
4. Adjustable pressure relief valves.
5. Manually operated down valve for emergency operation.
6. Pressure gauges and pressure gauge isolation valves.
7. Manual valve isolation between pump unit and jack.
8. Negative pressure switch provided.
9. Testing: Shall be factory tested prior to shipment.
10. Muffler provided for quiet operation.

Cylinder:

1. Construction: Steel pipe with cylinder head having an internal guide ring and self adjusting packing.
2. Safety valve: Cylinder shall be equipped with a pipe rupture safety valve.

Plunger:

1. Construction: Shall be a machined steel shaft equipped with a stop, electrically welded to bottom end to prevent plunger from leaving shaft cylinder.
 2. Diameter: 80 mm.
- Suspension system: 1:2 system using (2) 3/8" - 7x19 aircraft cables integrated with rams header sheave mounted to the plunger.
 Guide rail: Shall consist of two 6 1/4 lb. tee rails assembled and fastened. Provide brackets to hold rail assembly to walls. Rail shall be furnished with steel splice plates and hardware.
 Platform frame: Shall be equipped with non-metallic faced roller guide wheels.
 Leveling device: Hall effect system to maintain platform within 1/4" of the landing.
 Control systems: Constant pressure PLC.
 Motor (submerged): 3.0 HP, 1750 RPM- 208/230 VAC, single phase.

Wiring:

1. Provide flexible traveling cable for electrical light and controls in platform.
2. All other electrical wiring shall be insulated, flame retardant, and moisture proof copper wiring installed in flexible metal conduit.

Safety Devices:

1. Slack cable protection: Provide a stainless steel linkage device that stops and sustains the platform in the event of breakage or slacking of cables.
2. Terminal stopping device: At the top and bottom of the platform travel.
3. Provide a platform toe guard at the platform entrance.

Battery powered emergency operation system:

1. Powers a light on the platform.
2. Powers an emergency alarm system.
3. Powers a system to allow platform to descend to floor selected by passenger.
4. The batteries shall be a rechargeable type complete with automatic charging.

2.03 ACCESSORIES

1. Runway doors and door locks.
2. Flush mounted telephone box.
3. Platform trim and wood specie or color.
4. Custom platform size.
5. Hydraulic tank heater.
6. Electrical disconnects.

PART 3 - EXECUTION

3.01 INSTALLATION

1. Inspect the runway and determine if the runway meets the manufacturer's requirements for clearances and plumb.
2. All components shall be assembled and erected in strict compliance with manufacturer's printed instructions.
3. All wiring shall be in accordance with the wiring diagram furnished by the manufacturer.

3.02 FIELD QUALITY CONTROL

1. Static/Running Load Test: All load rating and safety factors shall meet or exceed those specified in ASME A18.1.
2. Load the lift to rated capacity and test for several cycles to ensure proper operation. No mechanical failures should occur and no wear that would affect the reliability of the unit shall be detected.

Note: Specifications are subject to change. January 2010

Below is a general guide specification containing performance and descriptive requirements which apply to a variety of standard and custom ThyssenKrupp Access products

PART 1 – GENERAL

1.1 REFERENCES

- A. The lift shall be designed and tested in accordance with ICC/ANSI A117.1, NEC and ASME A18.1
- B. All designs, clearances, construction, workmanship and installation shall be in accordance with the requirements and codes adopted by the authority having jurisdiction. The platform lift shall be subject to local, city and state approval prior to and following installation.

1.2 SYSTEM DESCRIPTION

- A. This product described herein, manufactured by ThyssenKrupp Access Manufacturing, LLC is a vertical platform lift consisting of a machine tower with a lifting platform, selected and dimensioned to provide adequate lifting height to suit the individual building requirements. The lift can be used either indoors or outdoors to vertically transport a wheelchair user or mobility impaired person over a barrier creating access to or within a building.

B. Performance

1. Rated Load: 750 pound capacity
2. Travel Speed: Acme Screw-9 fpm
FSV Acme Screw-30 fpm
Hydraulic-20 fpm
3. Lifting Height: _____ (14' max)

1.3 QUALITY ASSURANCE

- A. Technical services: Manufacturer and dealer shall work with architects, engineers and contractors to adapt the platform lift product to the design and structural requirements of the building, site, and code requirements.

1.4 WARRANTY

- A. Unit shall have a four (4) year limited warranty on the basic unit including all electrical and drive system components.

PARTS 2 – PRODUCTS

2.1 MANUFACTURER

- A. The unit shall be manufactured by ThyssenKrupp Access Manufacturing, LLC as distributed by _____

2.2 FABRICATION

- A. Drive Systems:
 1. Acme Screw: Motor minimum of 3/4 HP, instant reverse, 1750 RPM, 115 VAC, single phase (220 volt optional). Back-up safety nut and auto-lubrication system.
 2. Hydraulic: 24 VDC 1 1/2 HP. Drive = 1:2 leaf chain hydraulic with type "A" slack chain safety device.
- B. Platform shall be constructed of 12 gauge minimum zinc clad steel. If unit is not installed in a 3" pit, a stationary ramp shall be provided that extends under the lower landing gate/door.
- C. Platform side panels must be 42" high (36" residential). Side panel framework shall be a minimum of 1"x 1 1/2"x .065 steel tubing for indoor units and 1x1 1/2x .125 aluminum tubing for outdoor unit. Solid infill panels shall be a minimum of 18 gauge zinc clad steel.

- D. The mainframe support tubings shall be a combination of square and rectangular steel tubing with a minimum .120 wall thickness.
- E. Carriage arms shall be a minimum of 1"x2" steel flat bar along with 1/2" thick steel flat bar uprights. Cam rollers shall be used for axial carriage guidance and wear pads used for horizontal stability. On Hydraulic units, cam rollers shall be supported by a minimum 6.25#/ft. "T" rail with tongue and groove ends mated at the split sections of the machine tower.
- F. Upper and lower limit switches
- G. Upper final limit switch
- H. Secondary safety nut (Acme Screw) or Slack Chain Device (Hydraulic)
- I. 24V low voltage controls
- J. Grounded electrical system
- K. Non-skid platform and access ramp
- L. Platform safety pan or runway enclosure
- M. Emergency stop button
- N. Top and bottom landing gates/doors provided with combination mechanical lock with positive opening electrical contacts. (Local code may vary)
- O. Grab rail
- P. Machine Tower (Shroud)
 1. Acme Screw: Machine tower structural side plates shall be of 12 gauge steel and front and back covers shall be 18 gauge zinc clad steel minimum.
 2. Hydraulic: The removable machine tower sides shall be of 16 gauge zinc clad steel and front and back covers shall be 18 gauge zinc clad steel minimum.

PART 3 – EXECUTION

3.1 ACCEPTABLE INSTALLERS

- A. Subcontractor Qualifications: A company that is listed as an authorized ThyssenKrupp Access products dealer.
- B. Electrical devices, services and final connections shall be by a qualified electrician.

3.2 INSTALLATION

- A. Unit shall be installed and operated in accordance with the ICC/ANSI A117.1, NEC and ASME A18.1 Guidelines.
- B. Coordinate work with general contractor.
- C. Leave standard electrical connection drawings with electrical contractor to make final electrical connection.
- D. The installation of the vertical platform lift shall be made in accordance with the approved plans and specifications and the manufacturers installation instructions.

3.3 FIELD QUALITY CONTROL

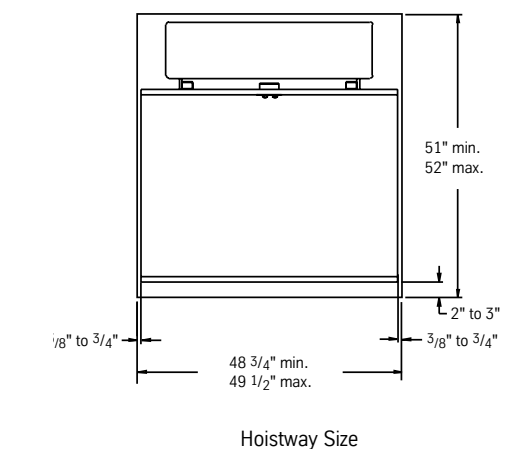
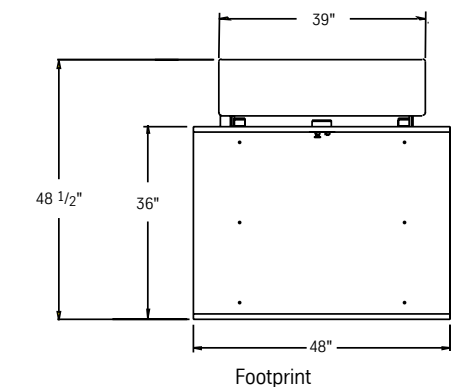
- A. Load the vertical lift to rated capacity and test for several cycles to insure proper operation. No mechanical failures shall occur and no wear that would affect the reliability of the unit shall be detected.

* Note: Specifications are subject to change.



Typical Dimensions (Top view with 36"x48" platform)

S Model	Lift Height
S 36	39"
S 50	53"
S 72	75"
S 96	99"
S 120	123"
S 144	147"
S 168	171"



The most popular lift for custom designs.

The popular PL-S model can be easily customized to blend with surrounding interiors and exteriors. Your dealer can install the lift in a hoistway that blends with surroundings, or completely concealed (hoistway by others). A selection of hoistway door and gate options available from ThyssenKrupp Access or from your contractor let you tailor the hoistway appearance to meet your architectural needs.

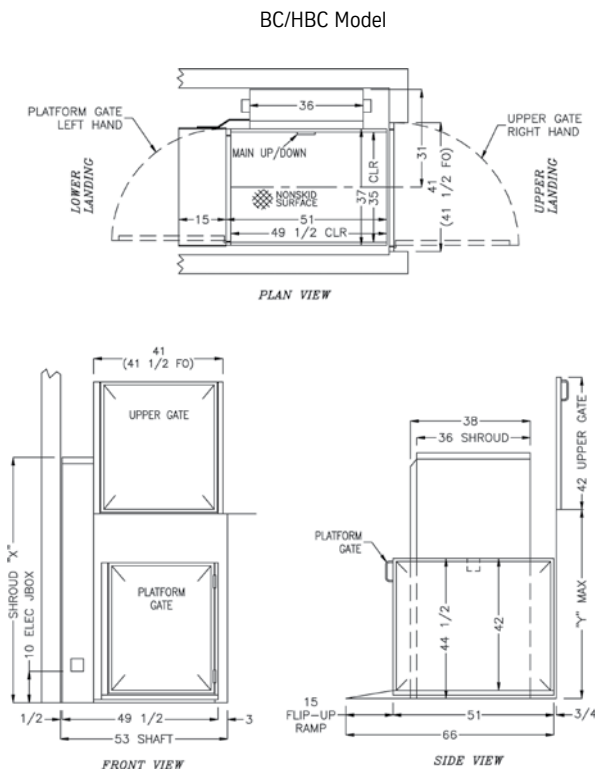
Model BC — Acme screw drive
Model HBC — Hydraulic drive

The BC and HBC models are manufactured as an unenclosed lift. This unit is often installed within a vertical runway enclosure (built by others). In some commercial settings, where the travel distance is less than 5 feet, a BC or HBC may be installed unenclosed. Common applications include: churches, libraries, restaurants, and schools.

A main control panel is found on the side guard of each vertical lift. This panel consists of a constant pressure switch and an emergency stop button.



BC Model with runway enclosure built by others and non-fired rated wood door



BC & HBC Model:	Lift Height
BC/HBC 42	45"
BC/HBC 60	63"
BC/HBC 72	75"
BC/HBC 96	99"
BC/HBC 120	123"
BC/HBC 144	147"
BC/HBC 168	171"

Please note: All units are shown with equipment dimensions only and are subject to change. Changes in platform size and configuration will change dimensions. Additional room for running clearances will also be required. The drawing dimensions will increase with the FSV (Fast Speed Vertical) package.

CUSTOMIZE YOUR PORCH-LIFT® TO MEET YOUR UNIQUE NEEDS.

Three operating systems

- A/C power recirculating ballscrew drive.
- Battery power recirculating ballscrew drive.
- Battery power 1:2 roped hydraulic drive.

Battery operation ensures dependable, uninterrupted service even in the event of a power failure. Our exclusive SmartCharge™ technology automatically recharges the batteries as needed.

Common features:

- Mechanical interlocks prevent lift operation until gates and doors are closed and locked.
- Two mounting configurations: floor mount with a ramp, or pit mount—which eliminates the need for a ramp.
- Multiple platform sizes with non-skid surfaces to meet varying space and use requirements.
- Three platform enter/exit configurations: same side, straight through, or 90° side exit.
- All models are designed for indoor or outdoor applications.
- Conveniently located platform controls for easy operation.
- Remote controls enable the lift to be operated from all landings.
- Security key locks prevent unwanted use.
- Ivory powder coat is the standard finish color.
- Warranty: Drive train carries a two-year limited warranty and component parts carry a one-year limited warranty.

Site preparation by others

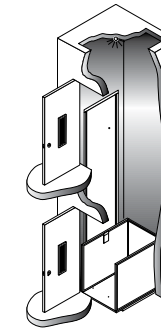
In order to prepare the site for installation, others must complete the following:

- 115V, single phase, 20 amp electrical connection for lift with disconnect switch.
- All lighting.
- Construction of a 4" thick, 3500 PSI, level, reinforced concrete pad which the lift base will be anchored.

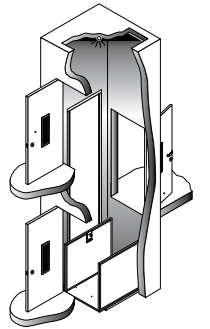
HOISTWAY CONFIGURATION

Porch-Lift S model vertical platform lifts are often installed inside of hoistways. Below are popular configurations.

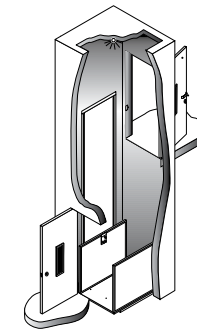
Enter/exit same side



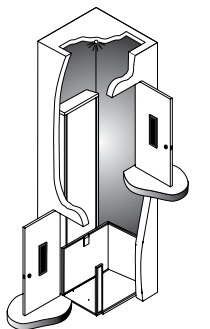
Three stop



Enter/exit straight through

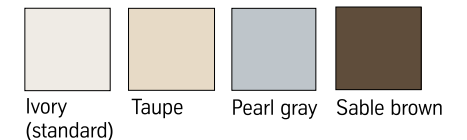


90° side exit



Finish colors

Ivory powder coat is the standard finish color. Powder coating is more durable than typical paint, protecting the lift and adding years of beauty. You may also select one of 180 special colors.



Special order colors (from RAL color chart)



OPTIONS

FSV Package — The fastest screw driven vertical platform lift available in the market today. The FSV package allows for travel speeds up to 30 feet per minute on all of our Acme Screw Drive units, which means you get to your destination up to 3 times faster than other vertical platform lifts. Contact your local dealer for details.

Standby Power Package — An optional standby power package is available on all our screw drive vertical platform lifts. This package allows the unit to be raised or lowered under emergency battery power. (The hydraulic unit comes standard with battery power.)

Extruded Aluminum Enclosure Package — For those seeking a vertical platform lift with a contemporary look and feel, an extruded aluminum enclosure package is available for our Model CDE and PCDE. This package includes aluminum side guards, complimented by a stainless steel grab rail and call/sends.



Gates and doors

Your dealer can assist you in selecting a factory supplied top gate and UL fire rated doors tailored to your application. Your contractor can also furnish custom gates and doors to coordinate with the building interior or exterior. Optional clear or bronze tinted acrylic panel inserts are available.

AutoOpener™

An automatic power door/gate opener option is available for unassisted access at the press of a button.



Flush mount 1 1/2 hour fire rated door



42" high top landing gate with VDR™ mechanical interlock



Standard controls on the lifts include a constant-pressure directional paddle, an emergency stop button, illuminated alarm button, and a key lock to secure against unauthorized access.



Convenient remote controls can be mounted on or near the lift or in the gate or door frame giving instant accessibility.



The lift with Toe Guard protection meets codes without a hoistway.

This freestanding model provides access to your building with minimal construction, as no hoistway is needed for ADA compliance. Stationary lower landing walls and gate shield the underside of the platform as the platform rises in a telescoping movement.



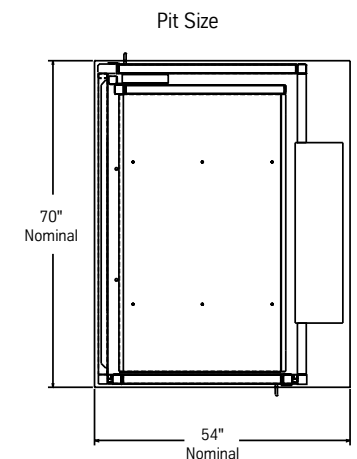
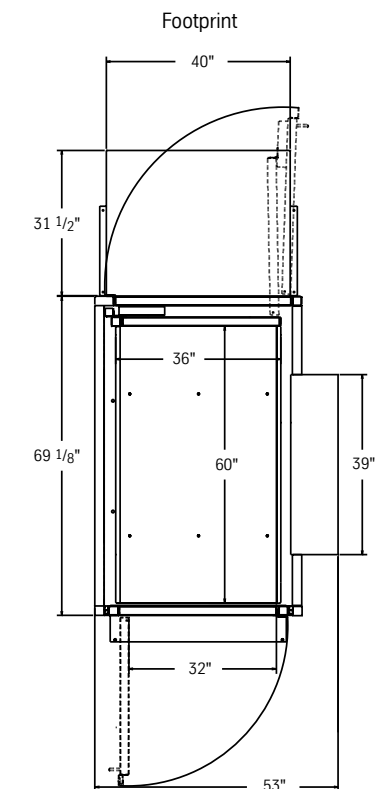
Medical Center: The rear parking lot was on a different level from the main floor of this medical center. The Porch-Lift provided a convenient way for patients to get from one level to the other.



The "toe guard" feature works as a hoistway. Interlocks prevent the gate from opening until the lift has arrived at that level.

Typical Dimensions
(Top view with 36"x60" platform)

Toe Guard Model	Lift Height
TG 50	52"

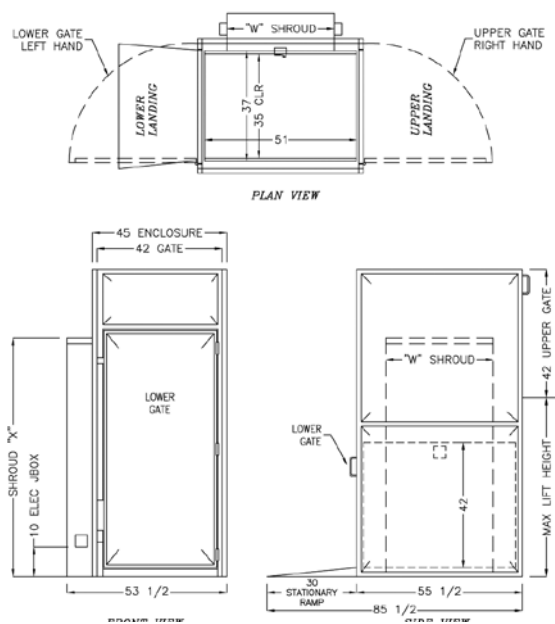


Model CDE — Acme screw drive
Model HCDE — Hydraulic drive

CDE/HCDE models are manufactured with a steel runway enclosure to eliminate the need for a separate enclosure. A structural steel framework is used on indoor enclosures, while an aluminum framework is used on outdoor units to minimize corrosion.

Runway enclosures can be extended and roofs added to protect the user from inclement weather. In such cases, optional lighting and a ventilation system may be required.

CDE/HCDE Model and PCDE/HPCDE Model



CDE Model



WOV355

The WOV 355 is a vertical platform lift with a roped hydraulic drive and 6'8" interior platform height. A smooth ride is provided by the 2 speed operation. The control panel buttons require constant pressure for the lift to raise or lower.

- 3 platform configurations:
 - Single opening.
 - Opposite opening.
 - 90 degree opening.
- Various platform interiors:
 - Wood grain finishes.
 - Baked enamel steel finishes.
- 750 lb capacity (1,000 lb optional).
- 6'8" interior height.
- Suspended style ceiling.
- Fluorescent lighting.
- 1:2 roped hydraulic drive unit.
- Submerged motor.
- 2 speed operation.
- Remote machine room up to 40' away.



CDE & HCDE Model:	Lift Height
CDE/HCDE 42	45"
CDE/HCDE 60	63"
CDE/HCDE 72	75"
CDE/HCDE 96	99"
CDE/HCDE 120	123"
CDE/HCDE 144	147"
CDE/HCDE 168	171"

Please note: All units are shown with equipment dimensions only and are subject to change. Changes in platform size and configuration will change dimensions. Additional room for running clearances will also be required. The drawing dimensions will increase with the FSV (Fast Speed Vertical) package.

Model P-Portable

This model provides temporary wheelchair accessibility at special events, stages, courtrooms and other venues where the need for access occurs only occasionally.

- Standard with four wheels, which attach to the frame base for easy maneuverability. A lifting lever and support block assist in the installation and removal of wheels.



A 10" ramp automatically unfolds when it has arrived at the upper landing. A 15" automatic folding ramp provides access at the lower level.



An adjustable switch allows you to choose the right lifting height to suit your needs. The model lifts up to 6 feet.



ENC model

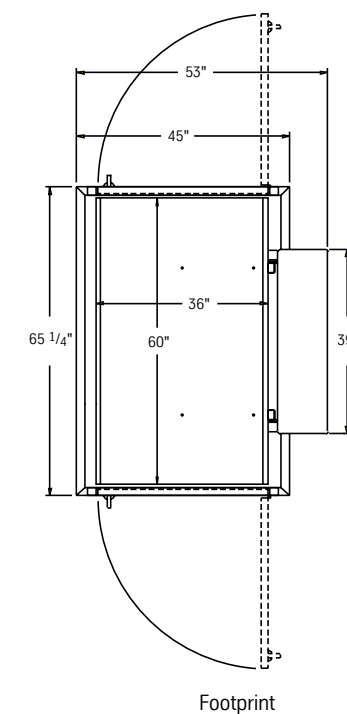
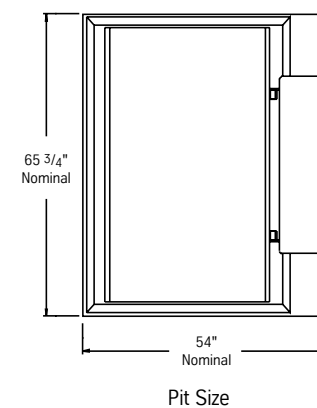
The ENC 2.0 model with a stylish enclosure

The ENC model includes a modular aluminum enclosure, ideal for indoor or outdoor use, and gives you an elegant, turnkey installation without the cost and space needs of a contractor-built hoistway.

- Corrosion-resistant aluminum hoistway frame is maintenance-free. Fasteners are hidden for a clean, contemporary look.
- Shatterproof translucent acrylic panels in sides and doors give optimum visibility, or select high-pressure laminate panels.
- A full height door is provided at the lower landing and, for three-stop lifts, at the intermediate landing. A door or gate can be selected for the top landing.
- Select tinted windows, ventilation package, and acrylic dome for exterior installations for weather protection.

Typical Dimensions
(Top view with 36"x60" platform)

Enclosure Models	Lift Height	
	ENC	EZE
ENC/EZE 50.....	53"	52"
ENC/EZE 72.....	75"	74"
ENC/EZE 96.....	99"	98"
ENC/EZE 120.....	123"	122"
ENC/EZE 144.....	147"	146"
ENC/EZE 168.....	171"	170"



Choose a door or gate for the upper landing, and add an optional Auto-Opener™ for maximum convenience. The lift interior shown here is with acrylic panels and fixed access ramp.

Model-BC Portable

The portable vertical platform lift can be an ideal solution for access to a stage or platform. Since the unit is equipped with wheels, it can be moved when access to the stage is not necessary, and the room needs to be used for other functions. In some cases, a variance may be required.



Model PCDE — Acme screw drive
Model HPCDE — Hydraulic drive

The PCDE and HPCDE models come equipped with a factory supplied enclosure with either clear or tinted acrylic panels. These attractive models allow light into the runway and permit the user to see outside the unit during operation.



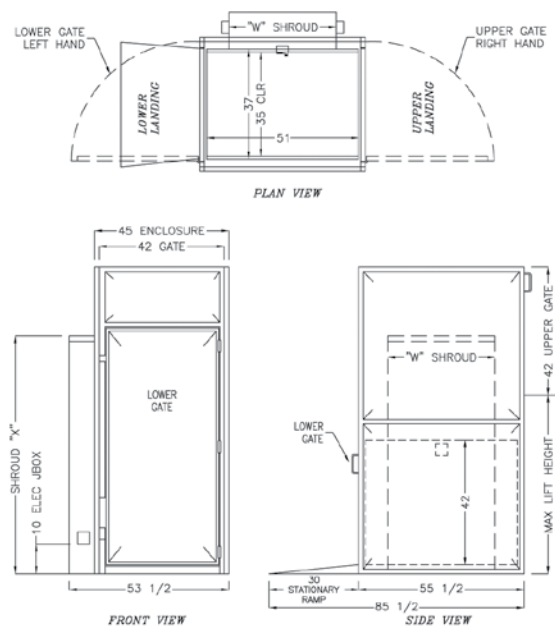
CDE/HPCDE Model and PCDE/HPCDE Model



PCDE Model



Lift Height	
PCDE & HPCDE Model:	
PCDE/HPCDE 42	45"
PCDE/HPCDE 60	63"
PCDE/HPCDE 72	75"
PCDE/HPCDE 96	99"
PCDE/HPCDE 120	123"
PCDE/HPCDE 144	147"
PCDE/HPCDE 168	171"



EZE model

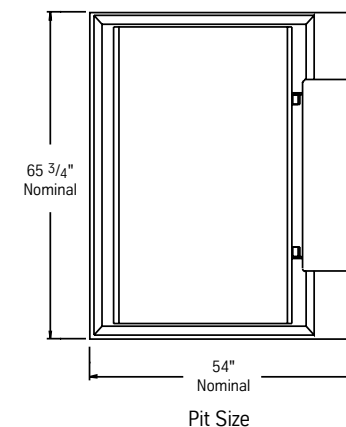
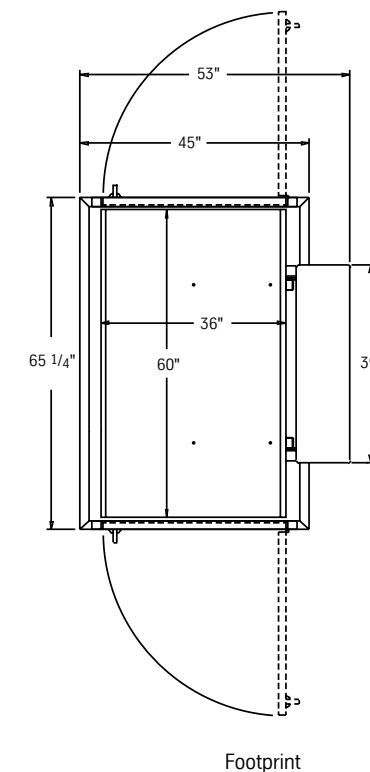
The simple EZE enclosure

This flexible enclosure model is uniquely engineered to quickly provide maximum access to your facility with minimal site preparation. Select the steel frame for indoor applications, or for outdoor use choose the corrosion-resistant aluminum frame with acrylic panels and ventilation package.

- Select tinted windows, ventilation package, and acrylic dome for exterior installations for weather protection.

Typical Dimensions
 (Top view with 36"x60" platform)

Enclosure Models	Lift Height	
	ENC	EZE
ENC/EZE 50	53".....	52"
ENC/EZE 72	75".....	74"
ENC/EZE 96	99".....	98"
ENC/EZE 120	123".....	122"
ENC/EZE 144	147".....	146"
ENC/EZE 168	171".....	170"



Select the forced air ventilation package, which includes automatic fan, battery backup, and emergency light, for passenger comfort and safety. An acrylic dome is also available.

Please note: All units are shown with equipment dimensions only and are subject to change. Changes in platform size and configuration will change dimensions. Additional room for running clearances will also be required. The drawing dimensions will increase with the FSV (Fast Speed Vertical) package.